

Gen 3 PoppinPod for 2



poppinpod.

FLAGSHIP SHOWROOM
16 Madison Square West, 3rd Fl
New York, NY 10010

(888) 676-7746
sales@poppin.com
@poppin #workhappy



GEN 3 POPPINPOD FOR 2

Looking for more meeting space (no contractor required)? Designed to offer a quiet space in an open office environment, the Gen 3 PoppinPod for 2 gives your team the opportunity to control their environment. Pop in for focused work, a one-on-one, or a meeting that can comfortably seat up to two people. Comes with a built-in table and booths to create a turnkey meeting room. (Available without furniture). The included outlets & USB ports make it easy to power conferencing equipment, screens, or devices for remote meetings or extra-long brainstorms.

Bells + Whistles

- Meets ISO 23351-1 acoustic standards
- Anti-eavesdrop design to bring you the most private, durable, and accessible phone booth on the market
- Built-in work surface allows you to easily move from desk to pod without missing a beat
- Built-in smart control unit that automatically adjusts to the optimal ventilation and illumination setting based on your environment
- 3 Motion-activated LED lights that are dimmable from 2200 lumens
- 4 Motion-activated fans that refresh the air inside the pod every 36 seconds
- Virtually flush with the ground eliminating trip and fall risks

Power Specifications

- 2 AC outlets + 1 USB integrated to the back panel of the pod for easy access
- Input: 100-240 V, 50/60 Hz
- Output: 100-240 V, 50/60 Hz
- Ability to channel the power cord through the ceiling or base of the pod allowing for flexibility based on your building's electrical access, cord length varies 3-6'

Delivery + Installation

- White Glove assembly is available for an additional charge

Warranty

- The PoppinPod has a 10 year Warranty



EXPLORE THE GEN 3 POPPINPOD

Our best-in-class, upgraded features include built-in power, lighting, and comfortable ventilation. Plus, we've revisited all the details that make conversations incomprehensible so you get the most private phone booth on the market.

1. ANTI-EAVESDROP DESIGN

Each pod is designed to keep confidential conversations, phone calls, and video conferencing completely private

2. AIRFLOW

Our PoppinPod fans – which refresh in less than 1 minute – are precisely calibrated to balance comfort and acoustic performance

3. BUILT IN POWER

The Gen 3 PoppinPod for 2 comes with 2 AC outlets, 1 USB port and 1 Ethernet or HDMI cable guide

4. PLUG + PLAY

Simply plug the power cord into any grounded 15A outlet and get right to work

5. SEAMLESS CONTROL KNOBS

Two control dials to easily adjust both the lights and fans to your desired level

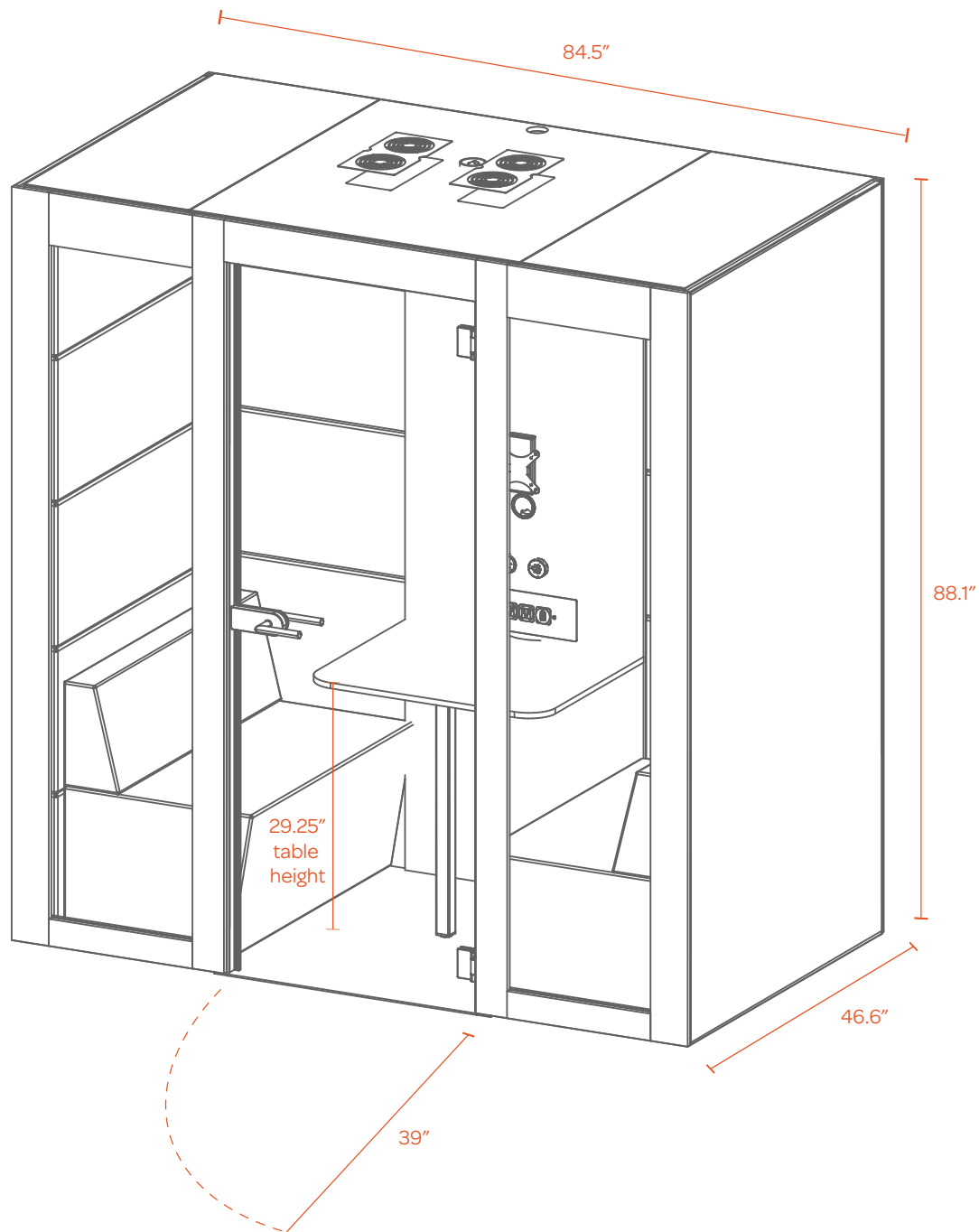
6. MONITOR MOUNT

Built in monitor mount for virtual conferencing



Contact Us

(888) 676-7746 sales@poppin.com



DIMENSIONS

Your Poppin Account Executive and Project Manager can answer any questions you have about the placement of your PoppinPod.

Gen 3 PoppinPod

- The footprint of the assembled PoppinPod (with the door closed) is 84.5" W x 46.6" D x 88.1" H.
- When the door is opened fully, it adds 39" to the overall depth
- Allow for 12" above the PoppinPod for sufficient air circulation.

Contact Us

(888) 676-7746 sales@poppin.com